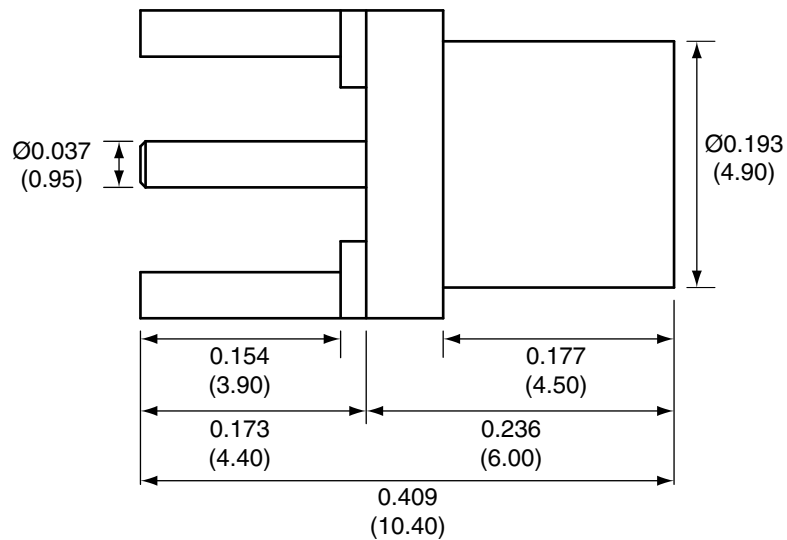
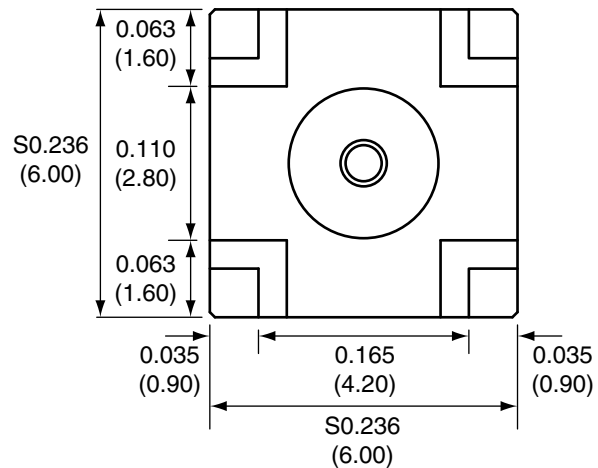


1		
Description	Material	Finish
Body	Brass	Gold
Socket	BE CU	Gold
Insulation	Teflon	Teflon

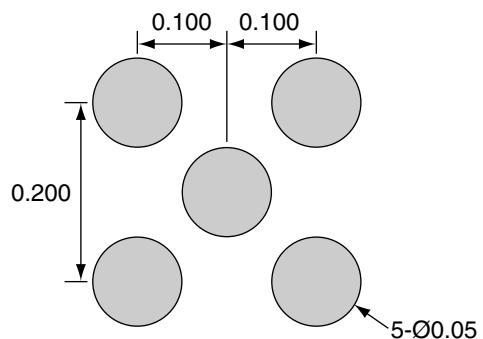
SIDE VIEW



BACK VIEW



RECOMMENDED FOOTPRINT



Title		CONNECTOR CITY 159 ORT LANE MERLIN, OR 97532 PH (541)-471-6256 FAX (541)-471-6251	
MCX FEMALE PCB MOUNT		Revision: 1.0	
Part No.	CONMCX001	Date:	6/5/2006
Dimensions:	INCHES (mm)	Sheet 1 of 1	

**CONNECTOR CITY**  
THE VALUE OF CONNECTIONS